



Chester Corner Lounge

ⓘ The components are heavy, assembly should be performed by two people.

If you have any difficulty with assembly or operation, please contact the store of purchase in the first instance.

Please read the below safety & electrical instructions before operating

Safety Instructions

- This product is not intended for use by persons (including children) with reduced physical, sensory or mental capabilities, or lack of experience and knowledge, unless they have been given supervision or instruction concerning use of the product by a person responsible for their safety.
- Ensure there is no person, animal or item obstructing the area under the footrest before operating this product.
- Improper use or installation may result in the risk of fire, electric shock and/or injury. We assume no liability for any eventual damages caused by improper use or inappropriate handling, or by any other non-compliance with the instructions in this manual.
- Children should be supervised to ensure that they do not play with the product.
- This product contains moving parts. Keep fingers, hair and body parts well clear from moving parts. To reduce the risk of injury, keep children and pets clear of the product when in use.
- Do not sit or place additional weight on the arms, back or open footrest.
- This product is very heavy. Only move this product by lifting the main body. Never drag by the footrest, back or arm rest.
- Return this product to the full upright position to stand safely and prevent a tripping hazard.
- Do not operate this product if damage is visible in any form.
- Do not modify or use unauthorised substitute parts.
- This product has been designed and intended for indoor residential use only. It is not suitable for commercial or outdoor use.
- This product is not intended to be used as part of a health care plan. Consult your medical professional before operating if you are taking medication or have physical limitations.

Electrical Instructions

- Never force the back or footrest to close faster than the electric motor.
- Before commencing cleaning or maintenance, ensure this product is disconnected from the power outlet and the back is in the full upright position.
- Disconnect this product from the power outlet before moving.
- Cease operation and disconnect from the power outlet if you ever detect a burning odour or smoke coming from the product.
- Do not operate this product if liquid spillage occurs on or around it. Disconnect from the power outlet and allow product to completely dry before reconnecting.
- Do not operate the power functions or charge station with wet hands.
- Check the condition of the power cord, electrical cords, transformer, plug and connector on a monthly basis. Do not operate if wear is visible.
- Ensure the power cord, electrical cords and transformer are clear of moving parts and not trapped underneath the base.
- Position the power cord to minimise a tripping hazard.
- Never attempt to open or disassemble electrical components.
- We recommend the use of a surge protector (not included).
- Connect power supplies directly to a wall outlet wherever possible. If a powerboard is required, check its maximum power load and don't exceed. Never "daisy-chain" more than one powerboard together.

Synargy is a registered responsible supplier on ERAC. Electrical components within our products have been tested to comply with legal requirements imposed for electrical safety and EMC.

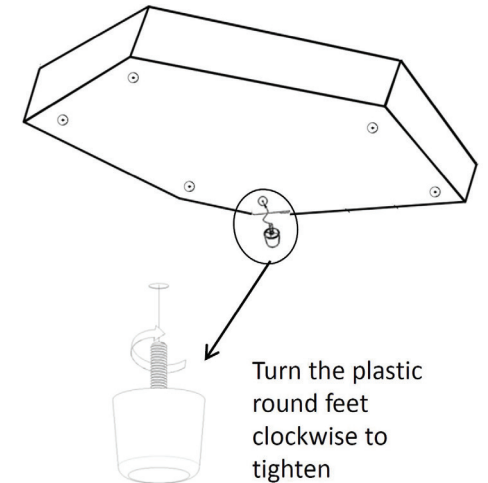
Step 1

On the undersides of the seat bases are support feet and power supplies inside a zippered pocket. Remove all packaging and set aside to dispose of responsibly, and set the power supplies and support feet aside for following steps.

Step 2

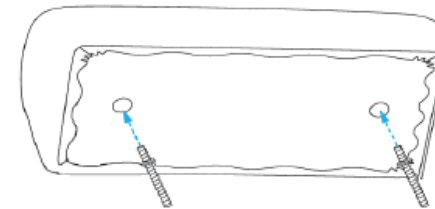
On the underside of the corner wedge, secure the six support feet by turning clockwise until tight in the pre-defined pilot holes around the outer edge of the base.

This step should also be performed for the three armless chairs plus the center console, each of these pieces have four support feet to be attached.



Step 3

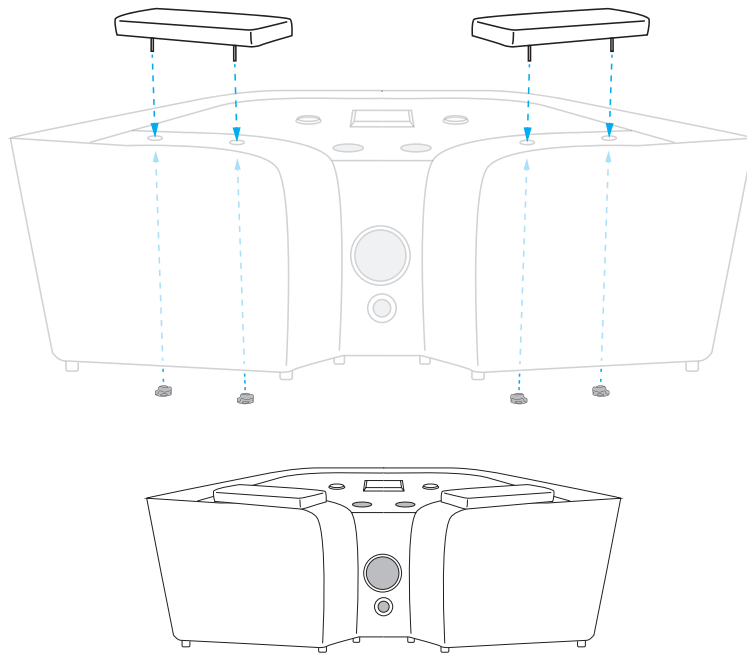
Locate the armrest pads for the corner wedge, which come packaged with 4 nuts and bolts for installation. Screw the shorter end of the bolts into the underside of the armrest pads.



Step 4

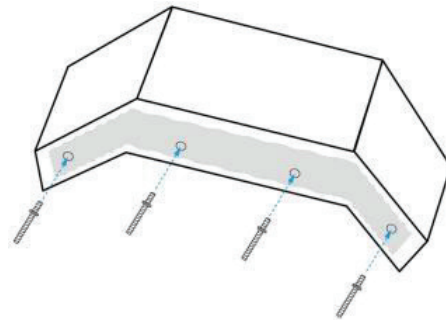
With two people, gently turn the corner wedge base onto it's front side and unzip the compartment in the fabric underside.

Place the longer end of the armrest bolts from Step 3 through the pilot holes on the top of the corner wedge, and reach inside through the zipper compartment on the underside to fasten these bolts using the star shaped nuts.



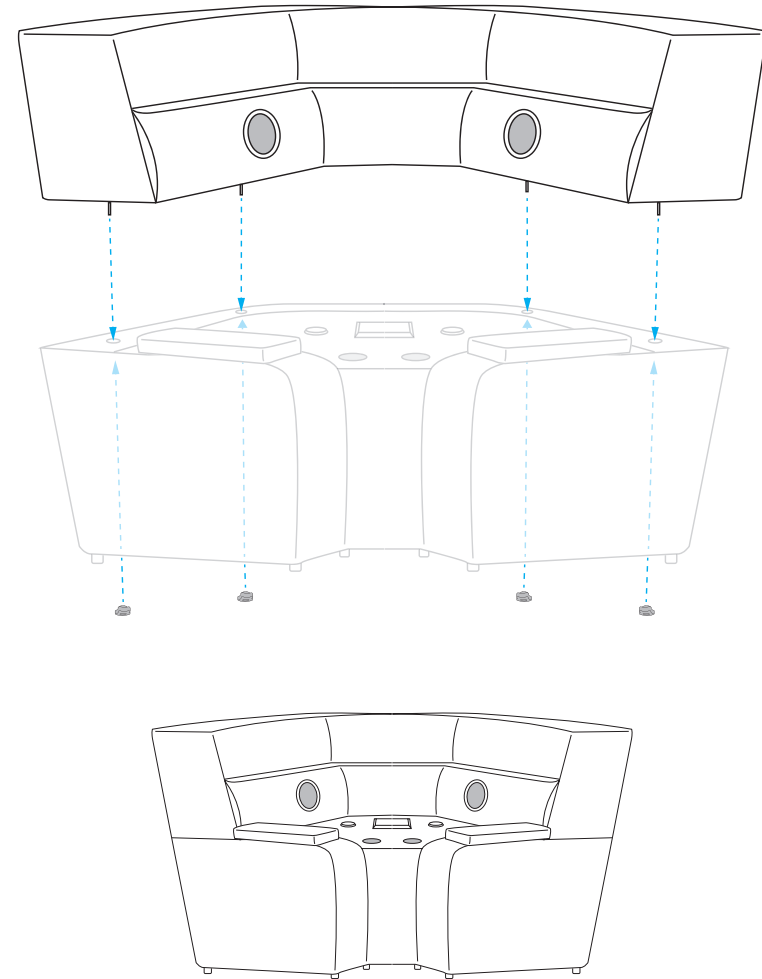
Step 5

To assemble the remaining piece of the corner wedge, fit the short end of the included bolts to the underside of the wedge back / top section.



Step 6

Similar to fitting the armrest pads in Step 4, fit the corner wedge back / top section by inserting the long end of the bolts into the pilot holes on the wedge base. Reach inside through the zipper compartment on the underside of the base and fasten the bolts using the star shaped nuts.

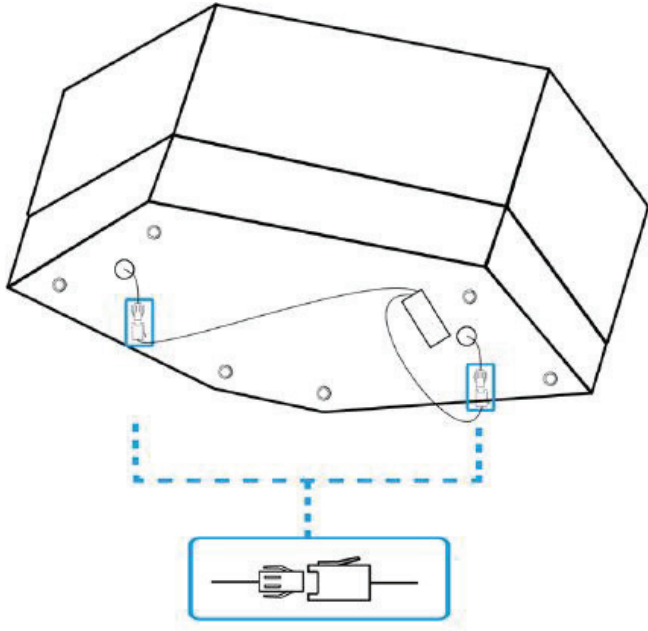


ASSEMBLY INSTRUCTIONS

CHESTER CORNER LOUNGE

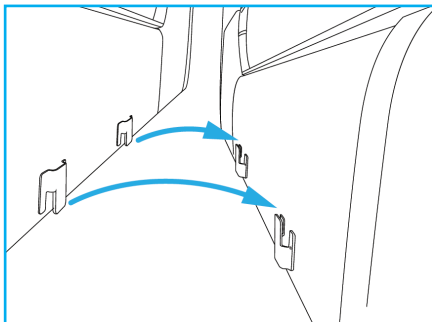
Step 7

On the underside of the corner wedge, reach inside the zippered compartment and connect the two pairs of electrical plugs - this connects the speakers in the wedge back / top section to the rest of the audio system in the base.



Step 8

Connect the seat bases, corner wedge, and console together using the brackets down the side of each piece.

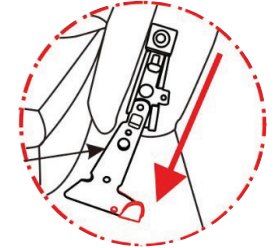
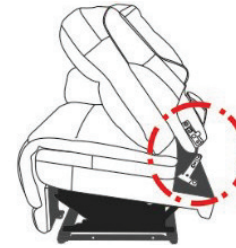


Step 9

Attach the seat backs to the seat bases of the end seats and armless chairs by aligning the seat posts with the receivers, and pressing down firmly on the top of the backrest until a click is heard on either side. Scan the QR code to view a video of this step.

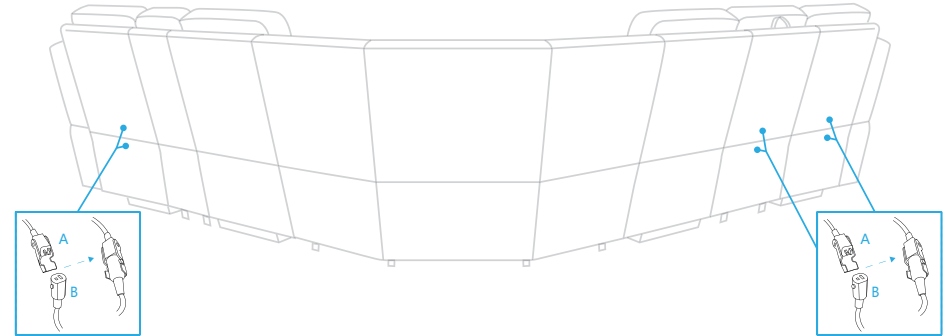


Scan QR code
for a video of
Step 9



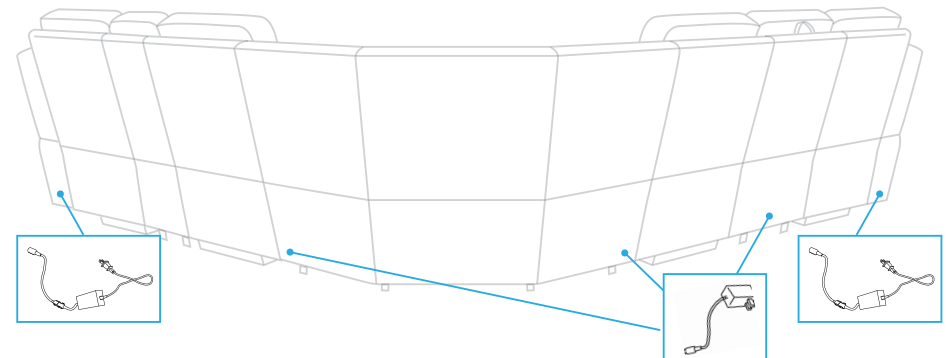
Step 10

Connect the electrical plugs between the seat base and seat back for the two end seats, and the armless chair with the folding dropdown table. Smooth down the fabric panel & affix the velcro cover.



Step 11

Connect the power supplies for the two end seats, the center wedge and the armless chair with the folding dropdown table.



Bluetooth Audio Operation

While the entertainment panel is off, press and hold the power button for 3 seconds to enter Bluetooth pairing mode, the speakers will say “Power on, Bluetooth mode”.

Pairing mode is indicated by a flashing blue “BT” LED status light.

Connect to the “Smart Comfort” connection in the Bluetooth settings of your mobile phone, television or other connecting device.

When connected, the status light will turn solid and the speakers will say “Bluetooth connection successful”. The music player control buttons on the entertainment panel can now be used.

Wireless Charger Operation

While the entertainment panel is powered on, the wireless charging pad can be used to charge compatible devices.

Simply place the device on the wireless charging pad, and the lightning bolt LED status light should turn green and your device should show that it is charging.

